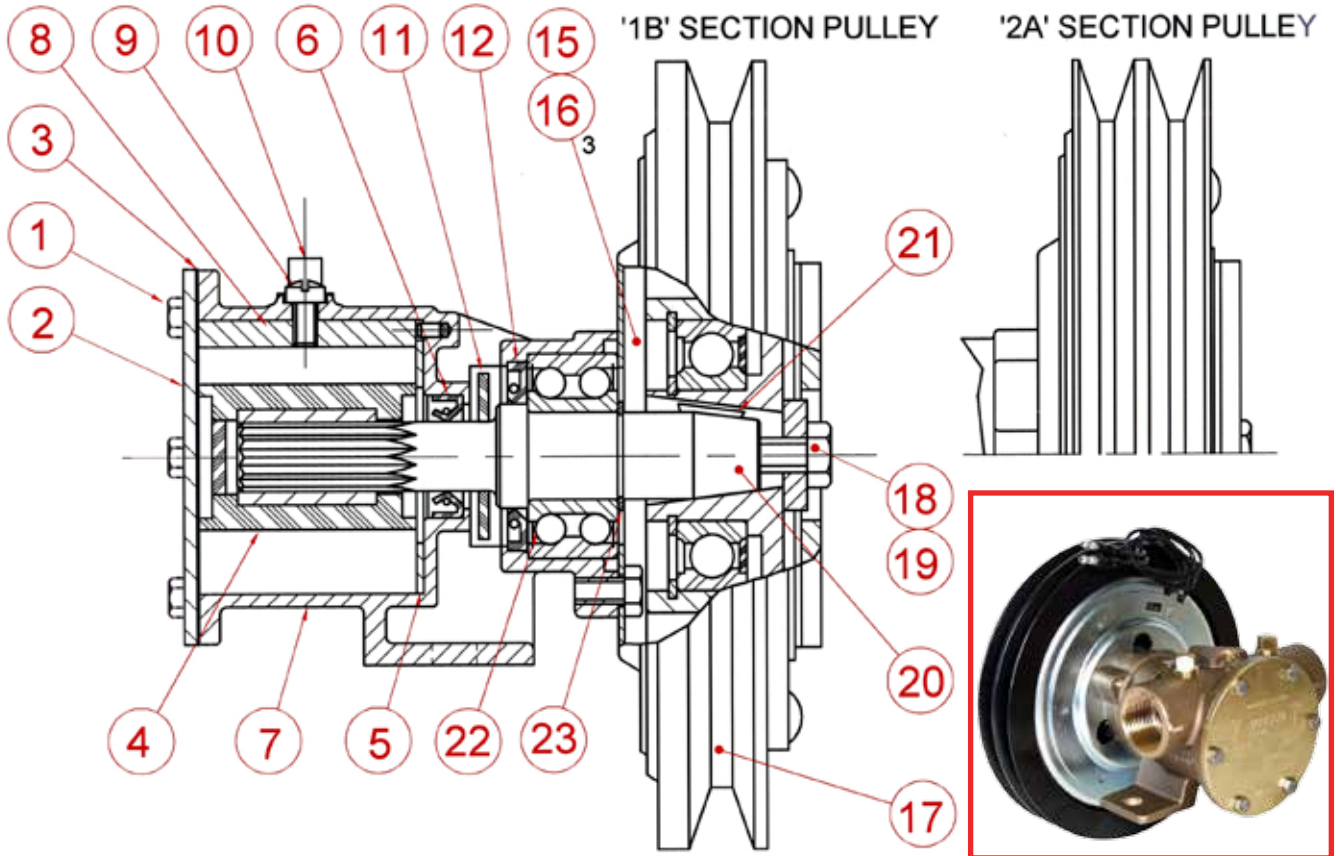


Service Instructions for Jabsco Bronze Flexible Impeller Electro Magnetic Clutch Pump **50080** Series

Inspect all parts for wear or damage and replace if necessary.

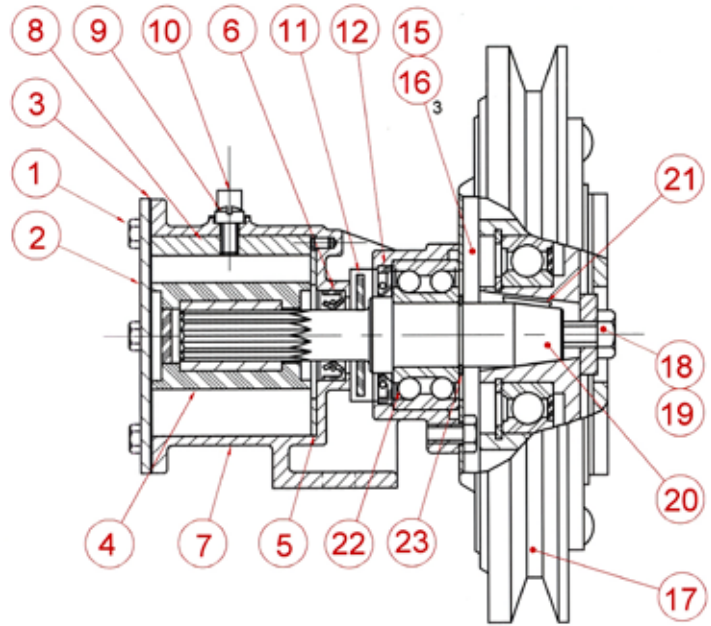


DIS-ASSEMBLY

1. Remove end cover screws, end cover and gasket. **(1, 2, 3)**
2. Remove impeller. **(4)**
3. Loosen cam screw **(9)** and remove cam. **(8)**
4. Remove wear plate. **(5)**
5. Remove lip seal from body. **(6)**
6. Remove bolt from end of shaft. Screw 5/8" UNC bolt into the hub of the pulley assembly in order to draw the pulley from the pump shaft. **(18)**
7. Remove the 3 screws **(16)** holding the field coil onto the housing adaptor.
8. Remove field coil. **(15)**
9. Press shaft on impeller drive end to remove shaft and bearing from pump. **(20, 22)**
10. Remove bearing retaining ring from shaft. **(23)**
11. Press shaft out of bearing supporting bearing inner race.
12. Remove inner bearing seal if it needs replacing. **(12)**

ASSEMBLY

1. Press new seal into bearing end of body with lip facing away from bearing bore. **(12)**
2. Press shaft into bearing supporting inner race of bearing. **(20)**
3. Fit bearing retaining ring onto shaft. **(23)**
4. Position slinger in body drain area. Grease seal area of shaft. Push bearing and shaft into body by pressing on outer race of bearing. **(11)**
5. Fit field coil to adaptor using 3 screws. Check that center bore of field coil fits over boss on the adaptor. **(15, 16)**
6. Wipe pump shaft to remove any particles and check location of key. **(20, 21)**
7. Slide pulley assembly onto shaft, lining up with key and secure with retaining bolt. **(17, 18, 19, 20, 21)**
8. Fit lip seal into body with lip facing into impeller bore. **(6)**
9. Fit wear-plate. **(5)**
10. Coat cam screw thread, top side and back of cam, with non-setting jointing compound and fit into body, securing with the cam screw. **(8, 9)**
11. Lightly grease impeller bore and fit impeller. **(4)**
12. Fit end cover and gasket and secure with screws. **(1, 2, 3)**



KEY	DESCRIPTION	QTY	KEY	DESCRIPTION	QTY
1	End cover screw	6	13	Not applicable	
2	End cover	1	14	Not applicable	
3	Gasket	1	15	Field coil	1
4	Impeller	1	16	Bolt	3
5	Wear plate	1	17	Pulley	1
6	Lip seal	1	18	Screw	1
7	Body	1	19	Washer	1
8	Cam	1	20	Shaft	1
9	Cam screw	1	21	Shaft key	1
10	Pipe plug	2	22	Bearing	1
11	Slinger	1	23	Retaining ring	1
12	Inner bearing seal	1	24		